

# ANSI standard Heavy Duty Electric Strike

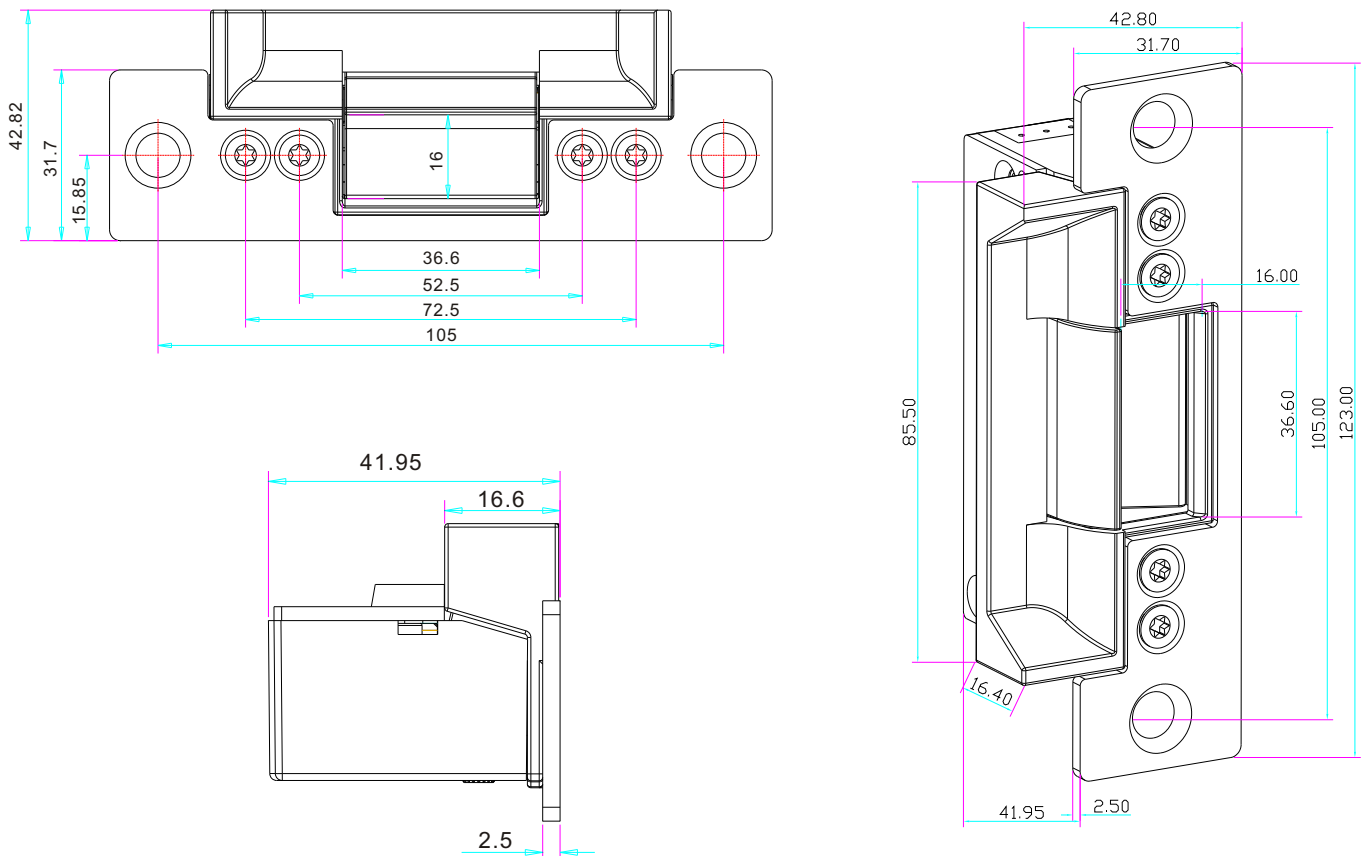


Model:EL-136NO/NC

## Specification

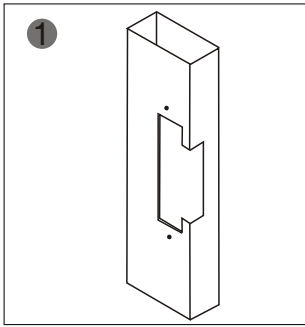
<b>Lock size</b>	123Lx43Wx42H(mm)
<b>Voltage</b>	12VDC(24VDCneed order)
<b>Current</b>	320mA
<b>Face plate</b>	304 stainless steel force structure
<b>Lock</b>	Zinc alloy(baking varnish by high temperature)
<b>Feature</b>	Fail secure / Fail safe(NO & NC adjustment)
<b>Suitable For</b>	Wooden Door, Metal Door, PVC Door
<b>Weight</b>	0.34kg

## Diagram(unit:mm)

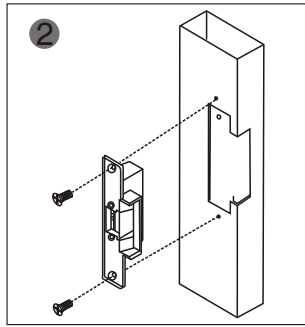


We create security

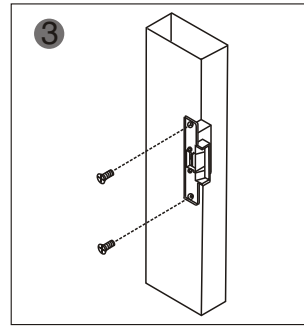
# Installation



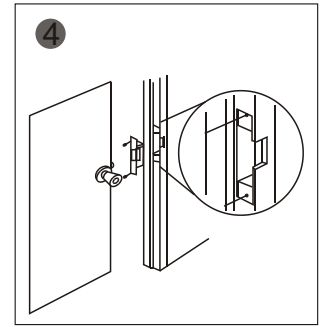
1 Cut hole according to the dimension of strike.



2 Assemble the lock and connect it to the power to test

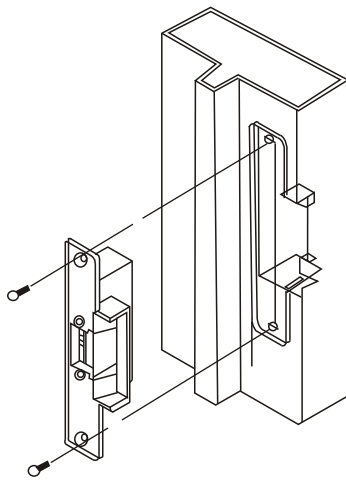


3 Fix the electric strike

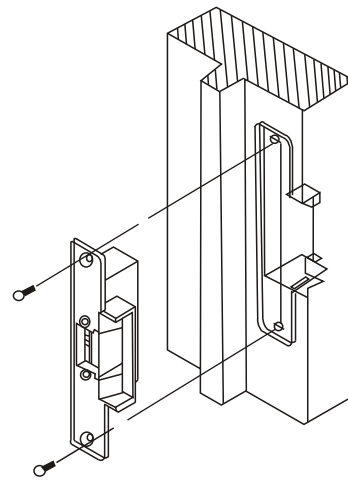


4 Finished

# Suitable for



Metal Door Frame



Wooden Door Frame

# Wire connection

