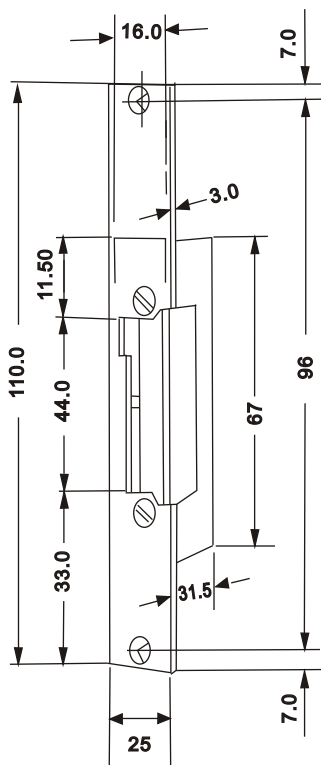
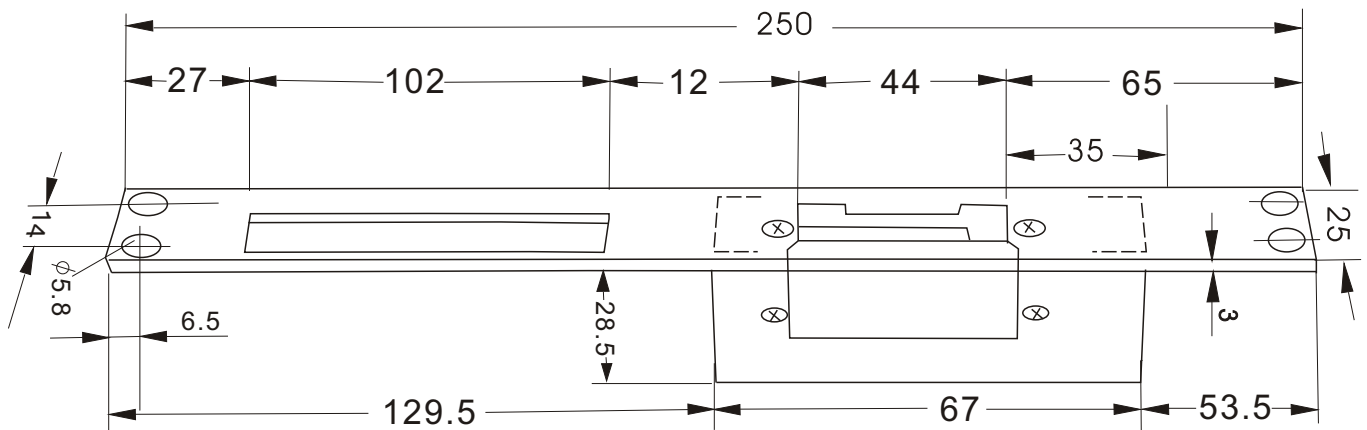


European Narrow-type & Adjustable Electric Strike

Specification

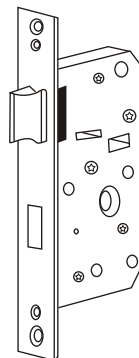
Model	Face Plate	Voltage	Current	Fail Safe	Suitable for	Weight
EL-134NOS	110Lx25Wx31.5H	12VDC	700mA	Fail Secure(NO)	Woodeng door Metal door	0.28kg
EL-134NOL	250Lx25Wx31.5H	12VDC	700mA	Fail Secure(NO)	Woodeng door Metal door	0.35kg

Diagram (unit:mm)

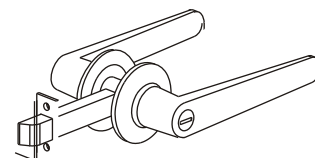
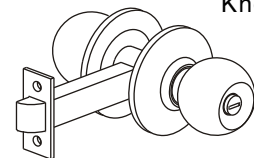


Options of Mechanical Lock

Mechanical Lock

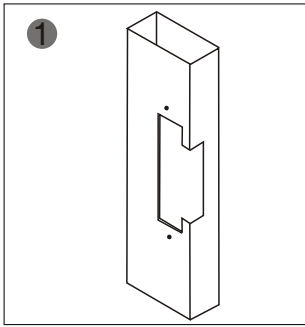


Knob lock

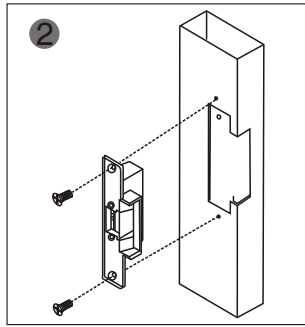


Mechanical lock with handle

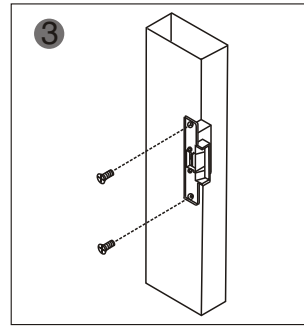
Installation



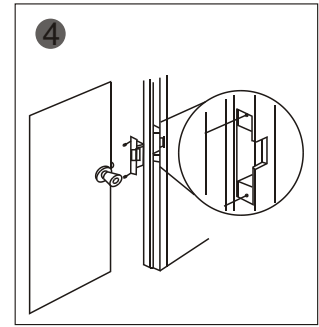
1 Cut hole according to the dimension of strike.



2 Assemble the lock and connect it to the power to test

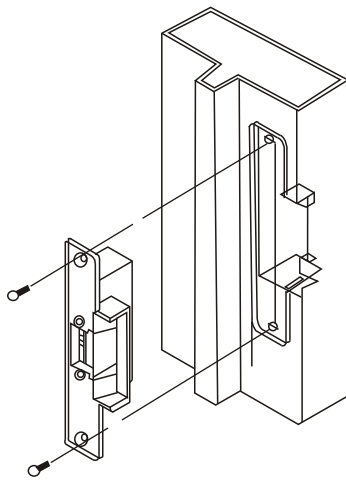


3 Fix the electric strike

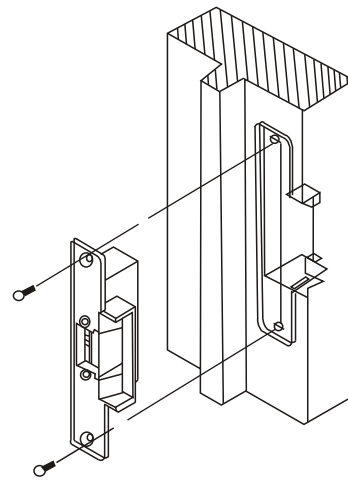


4 Finished

Suitable for



Metal Door Frame



Wooden Door Frame

Wire connection

