



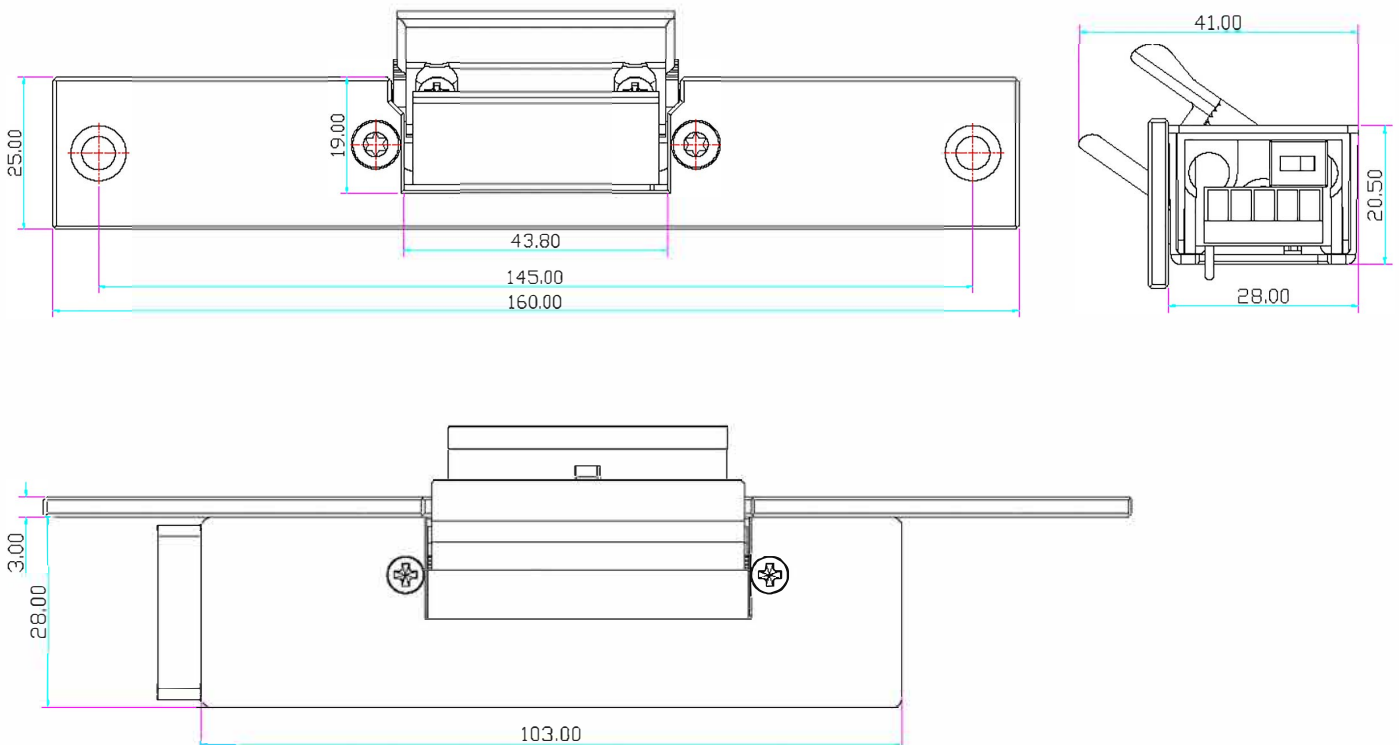
Electric Strike for Glass Door Model: EL-133NC

CE TIS EMC MA
Patent: No.201420531901.9

Specification

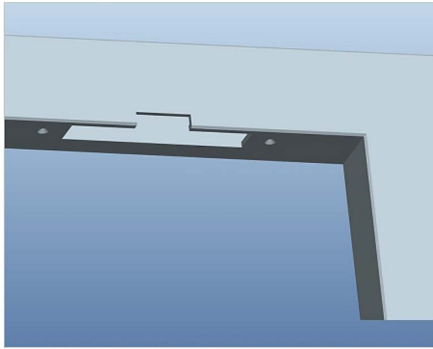
Size	160Lx25Wx31H(mm)
Voltage	12VDC(DC24Vneed order)
Current	12VDC/200mA; 24VDC/100mA
Face plate	304 stainless steel force structure
Lock	Zinc alloy(baking varnish by high temperature)
Signal Output	Lock status output NO/NC/COM (EL-133NC-S)
Feature	Fail safe
Glass Thickness	12-15mm
Weight	0.4kg

Diagram(unit:mm)

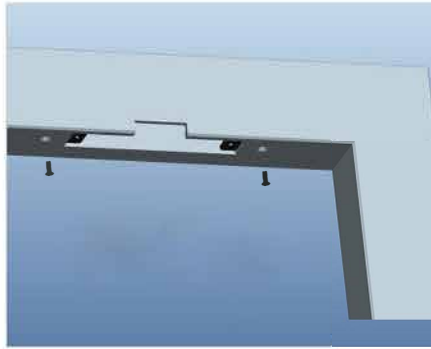


We create security

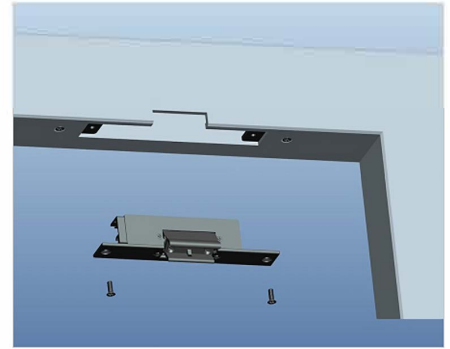
Installation



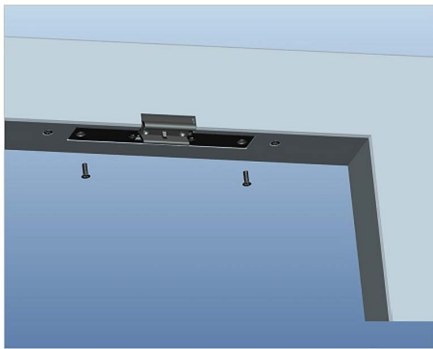
1. Cut hole according to the dimension of strike.



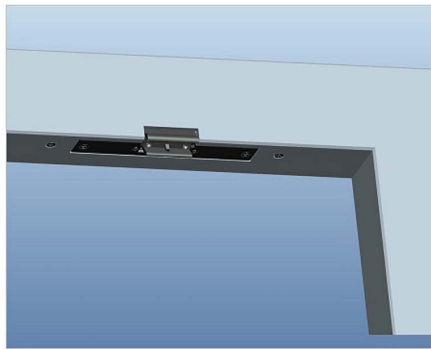
2. Extend the pills.



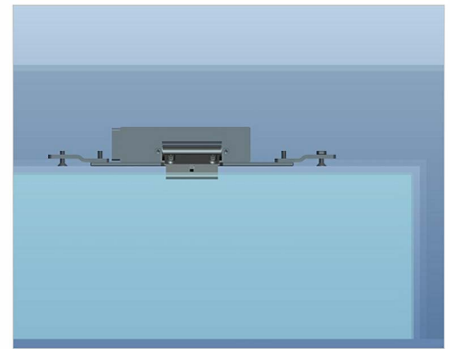
3. Assemble the lock and connect it to the power to test.



4. Fix the electric strike



5. Electric strike finished



Wire connection

