

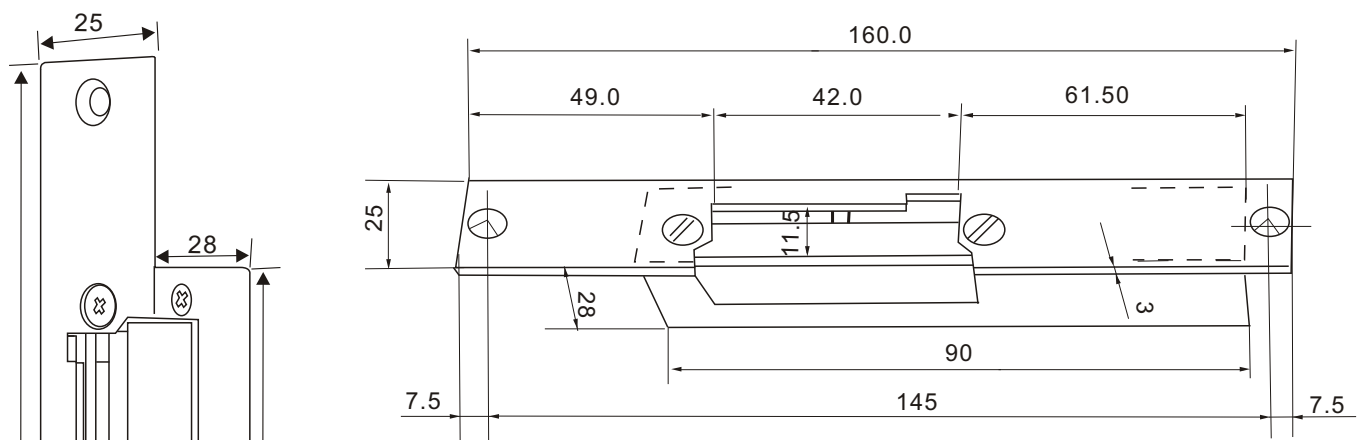
Long/Short Faceplate Electric Strike



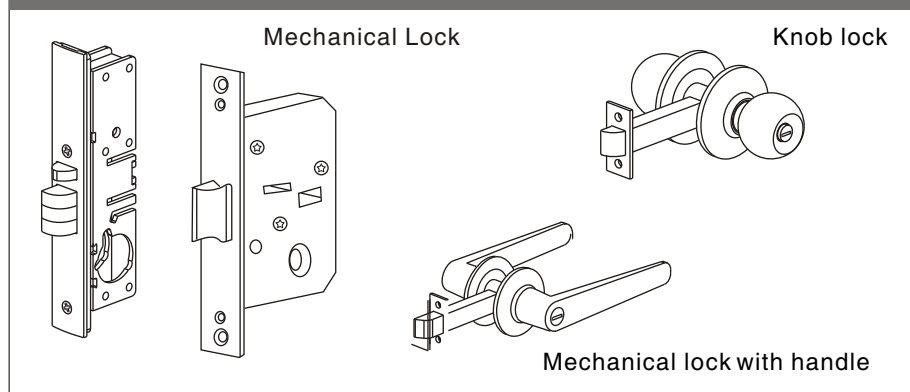
Specification

Model	Face Plate	Voltage	Current	Fail Safe	Suitable for	Weight
EL-132NO	250Lx25Wx28H	12VDC	450mA	Fail Secure(NO)	Woodeng door Metal door	0.4 kg
EL-132NC	250Lx25Wx28H	12VDC	200mA	Fail Safe(NC)	Woodeng door Metal door	0.4 kg
EL-132FP1	168Lx36Wx32H	12VDC	450mA or 200mA	Fail Secure(NO) Fail Safe(NC)	Woodeng door Metal door	0.36 kg
EL-132FP2	250Lx36Wx32H	12VDC	450mA or 200mA	Fail Secure(NO) Fail Safe(NC)	Woodeng door Metal door	0.37 kg
EL-132FP3	250Lx26Wx32H	12VDC	450mA or 200mA	Fail Secure(NO) Fail Safe(NC)	Woodeng door Metal door	0.37 kg

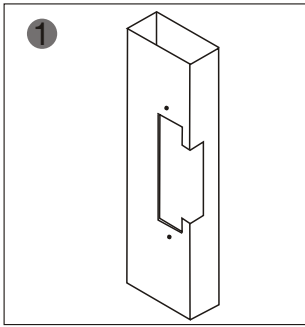
Diagram (unit:mm)



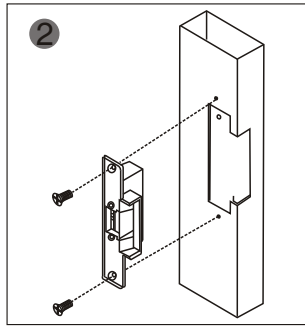
Options of Mechanical Lock



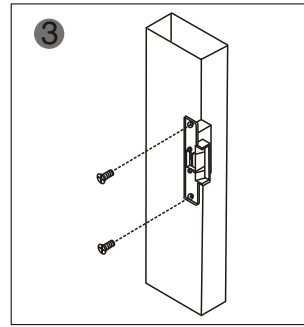
Installation



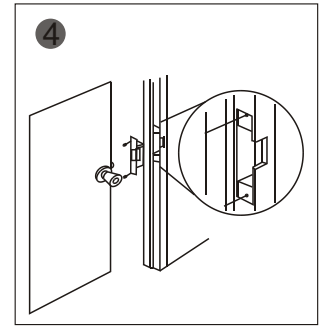
1 Cut hole according to the dimension of strike.



2 Assemble the lock and connect it to the power to test

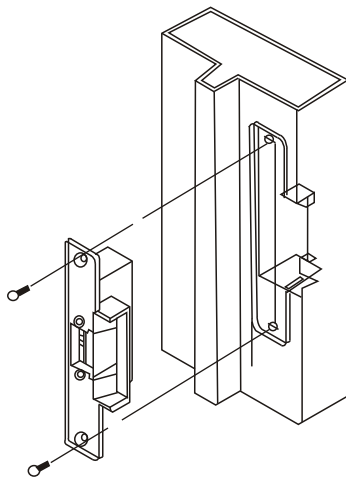


3 Fix the electric strike

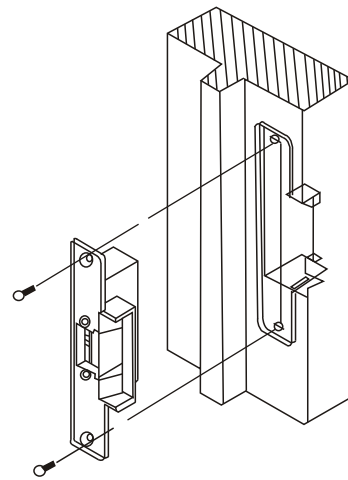


4 Finished

Suitable for



Metal Door Frame



Wooden Door Frame

Wire connection

