

Narrow-type Electric Strike with Signal

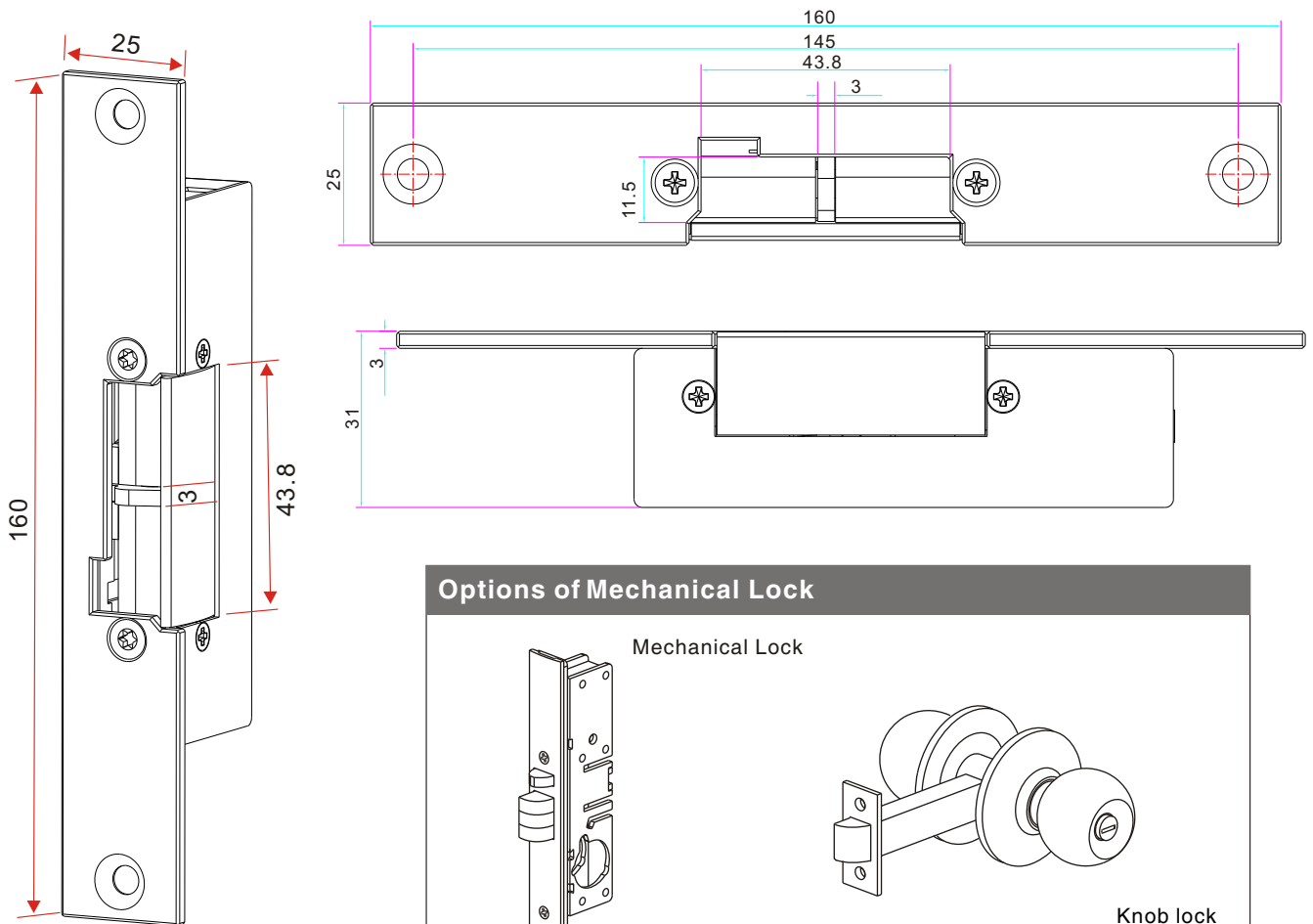


Model:EL-131NO/NC-S

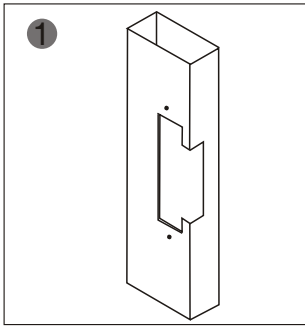
Specification

Size	160Lx25Wx31H(mm)
Voltage	12VDC
Current	200mA
Feature	FailSecure(EL-131NO-S) FailSafe(EL-131NC-S)
Suitable For	Wooden Door, Metal Door
Finishing	Electroplating
Weight	0.4kg

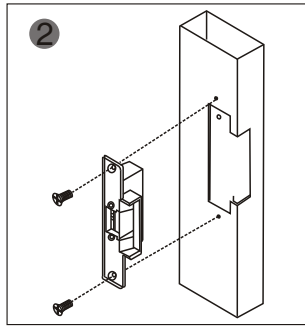
Diagram(unit:mm)



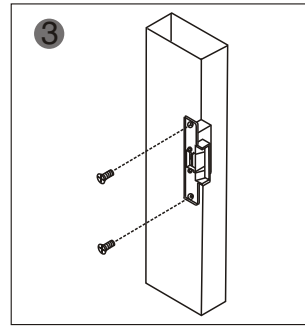
Installation



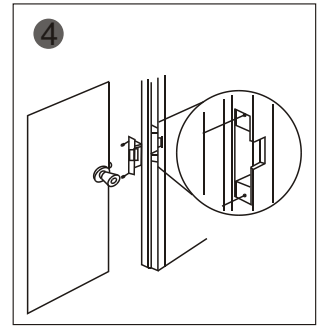
1 Cut hole according to the dimension of strike.



2 Assemble the lock and connect it to the power to test

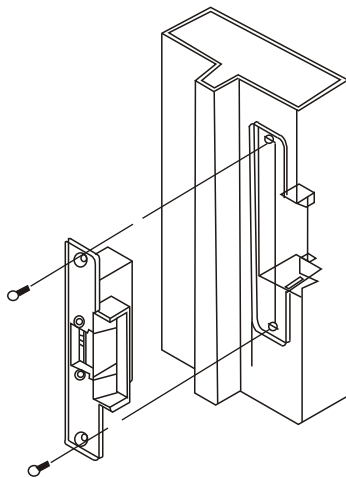


3 Fix the electric strike

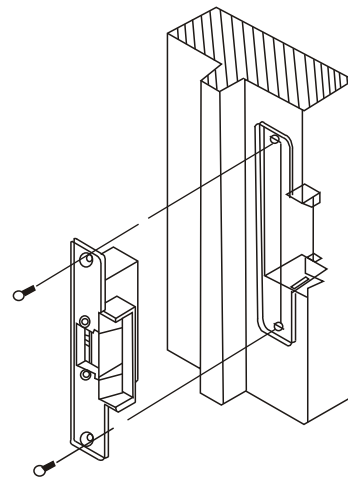


4 Finished

Suitable for



Metal Door Frame



Wooden Door Frame

Wire connection

