

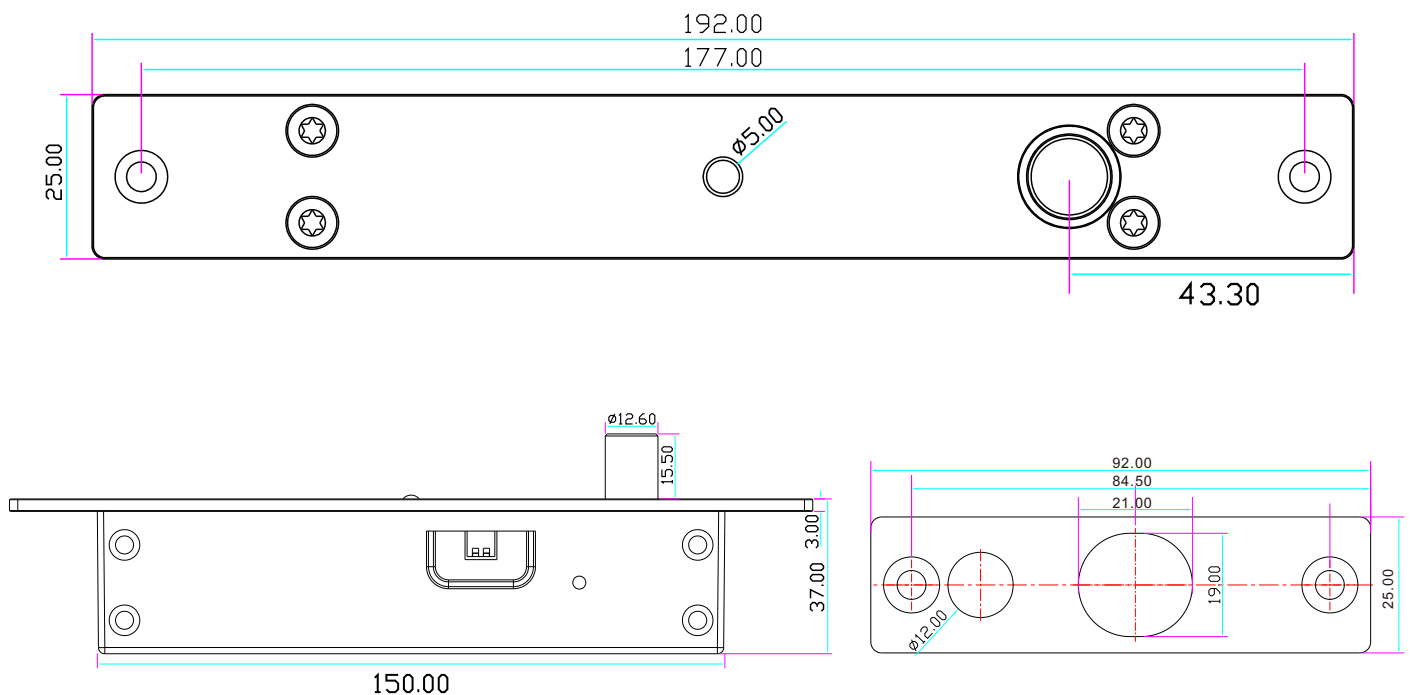
# Fail Secure Sturdiness Electric Bolt

## Model:EL -500B(LED)

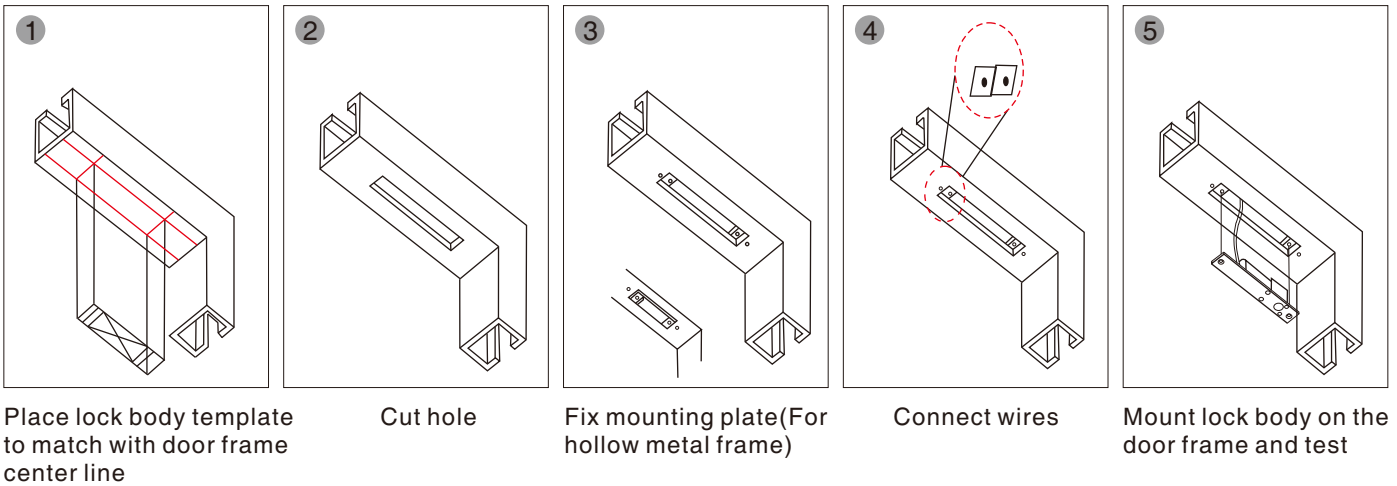
### Parameters

Face Plate	192Lx25Wx37H(mm)
Strike	90Lx25Wx3H(mm)
Bolt	16(projecture)*13(diameter)(mm)
Holding Force	1000Kg
Time Delay	0/3/6/9sec(Adjustable)
Voltage	12VDC(24VDC need order)
Current	Start 900mA,Standby 80mA
Signal Output	NO/COM
LED	Green indicates the door is unlock; Red indicates the door is lock
Material	304 stainless steel, wire draw finishing
Induction Distance	8mm
Suitable for	Wooden door, glass door, metal door ,Fireproof door
Weight	0.68kg

### Dimensions

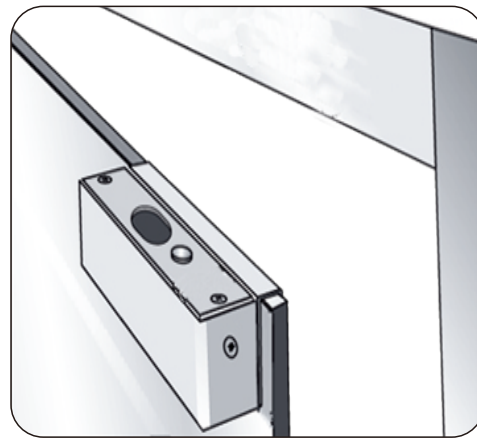
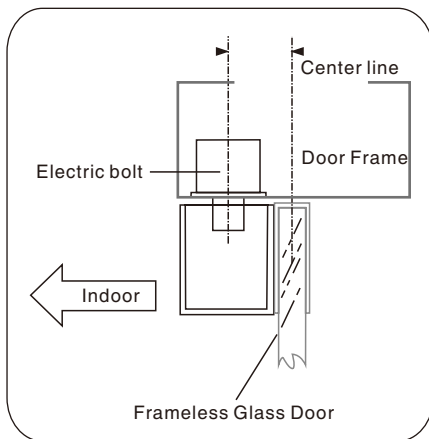


# Installation



# Installation Schematic

Suitable for 10-15mm glass door, EB-600/601/602 for Frameless Glass Door.



# Wiring Diagram

